

DH-SD6980/80C-HN

1.3Mp HD Network IR PTZ Dome Camera



Features

- 18x optical zoom
- H.264 & MJPEG dual-stream encoding
- Max.25/30fps@1.3M(1280×960) & 720P resolution
- WDR(80C), Day/Night(ICR), DNR (2D&3D),Auto iris, Auto focus, AWB, AGC,BLC
- Multiple network monitoring: Web viewer, CMS(DSS/PSS) & DMSS
- Max 240°/s pan speed, 360° endless pan rotation
- Up to 255 presets, 5 auto scan, 8 tour, 5 pattern
- Built-in 7/2 alarm in/out
- Support intelligent 3D positioning with DH-SD protocol
- SD memory, IP66
- IR Distance up to 100m

DH-SD6980/80C-HN

Technical Specifications

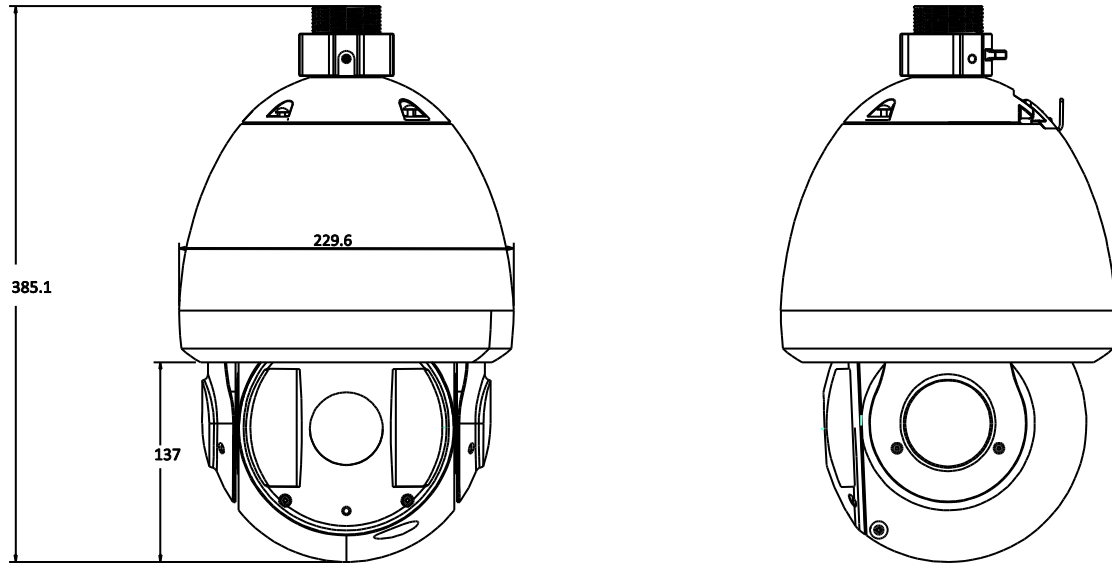
Model	HD-SD6980-HN	HD-SD6980C-HN
Camera		
Image Sensor	1/3" CCD	1/3" CMOS
Effective Pixels	1280(H) x 960(V)	
Scanning System	Progressive	
Electronic Shutter Speed	1/3(4)~1/10000s	
Min. Illumination	Color: 0.1Lux/F1.6 B/W: 0.01Lux/F1.6	Color: 0.05Lux/F1.6 B/W: 0.005Lux/F1.6
S/N Ratio	More than 50dB	
Video Output	BNC(1.0Vp-p/75Ω), PAL / NTSC	
Camera Features		
Day/Night	Auto(ICR) / Color / B/W	
Backlight Compensation	BLC / HLC	BLC / HLC / WDR
White Balance	Auto, ATW, Indoor, Outdoor, Manual	
Gain Control	Auto / Manual	
Noise Reduction	2D / 3D	
Privacy Masking	Up to 24 areas	
Digital Zoom	16x	
Lens		
Focal Length	4.7mm ~ 84.6mm (18x Optical zoom)	
Max Aperture	F1.6~F2.7	
Focus Control	Auto / Manual / One shot	
Angle of View	H: 55.2°~3.2°	
Close Focus Distance	100mm(wide) ~ 1500mm(Tele)	
PTZ		
Pan/Tilt Range	Pan: 0° ~ 360° endless; Tilt: -2° ~ 90°, auto flip 180°	
Manual Control Speed	Pan: 0.1° ~160° /s; Tilt: 0.1° ~120° /s	
Preset Speed	Pan: 240° /s; Tilt: 200° /s	
Preset	80(DH-SD), 255(Pelco-P/D)	
PTZ Mode	5 Pattern, 8 Tour, Auto Pan, Auto Scan	
Speed Setup	Human-oriented focal length/ speed adaptation	
Power up Action	Auto restore to previous PTZ and lens status after power failure	
Idle Motion	Activate Preset/Pan/Scan/Tour/Pattern if there is no command in the specified period	
Time Task	Auto activation of Preset/Pan/Scan/Tour/Pattern by preset-time	
Protocol	DH-SD, Pelco-P/D (Auto recognition)	
IR Distance	100m (6 near IR LED + 8 far IR LED)	
Video		
Compression	H.264 / MJPEG	

DH-SD6980/80C-HN

Resolution		1.3M(1280×960)/720P(1280×720)/D1(704×576/704×480)/CIF(352×288/352×240)	
Frame Rate	Main Stream	1.3M(1~15fps), 720P(1 ~ 25/30fps)	1.3M(1~25/30fps), 720P(1 ~ 25/30fps)
	Sub Stream	D1/CIF(1 ~ 25/30fps)	
Bit Rate		H.264: 56K ~ 8192Kbps, MJPEG: 56K ~ 20480Kbps	
Audio			
Compression		G.711a / G.711u(32kbps) / PCM(128kbps)	
Interface		1/1 channel In/Out	
Network			
Ethernet		RJ-45 (10/100Base-T)	
Protocol		IPv4/IPv6, HTTP, HTTPS, SSL, TCP/IP, UDP, UPnP, ICMP, IGMP, SNMP, RTSP, RTP, SMTP, NTP, DHCP, DNS, PPPOE, DDNS, FTP, IP Filter, QoS, Bonjour	
ONVIF		ONVIF Profile S	
Max. User Access		20 users	
Smart Phone		iPhone, iPad, Android, Windows Phone	
Auxiliary Interface			
Memory Slot		Micro SD, Max 64GB	
RS485		1	
Alarm		7/2 channel In/Out	
General			
Power Supply		AC 24V/3A (±10%) / DC12V optional	
Power Consumption		17W, 35W(IR on, Heater on)	
Working Temperature		-40°C ~ 60°C / Less than 90% RH	
Ingress Protection		IP66	
Dimensions		Φ229.6(mm) x381.5(mm)	
Weight		7.0kg	

DH-SD6980/80C-HN

Dimensions (mm)



Accessories

		
DH-69FB	DH-PFA111	Power Supply

DH-SD6980/80C-HN

Accessories (Optional)

			
DH-PFB300C	DH- PFB301C	DH-PFA112	DH-PFA113
			
DH-PFB301S	DH- PFA120	DH-PFA150	DH-PFA151

Dahua Technology Co., Ltd.

1187 BinAn Road, Binjiang District, Hangzhou, China

Tel: +86-571-87688883

Fax: +86-571-87688815

Email: overseas@dahuatech.com

www.dahuasecurity.com

*Design and specifications are subject to change without notice.

© 2013 Dahua Technology